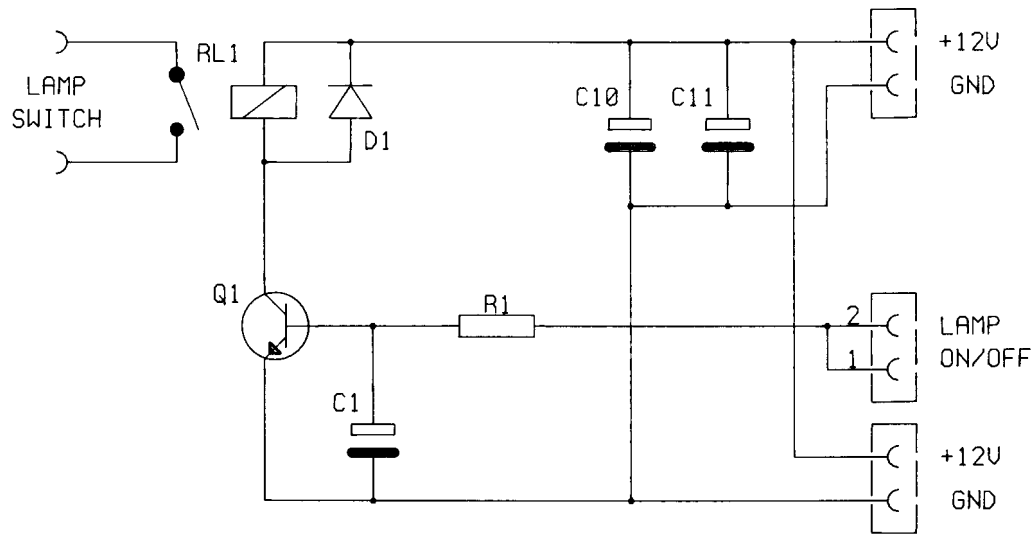
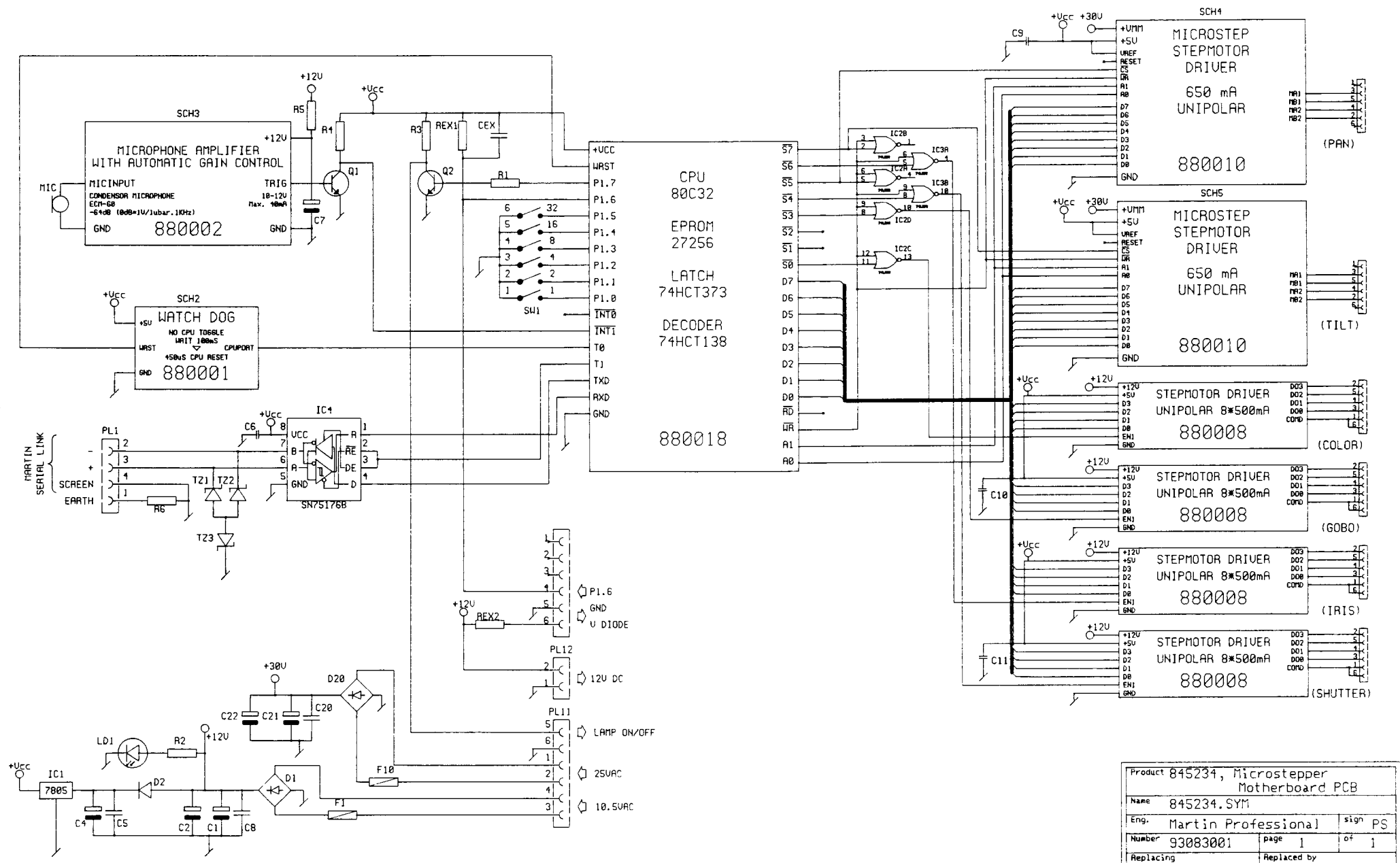


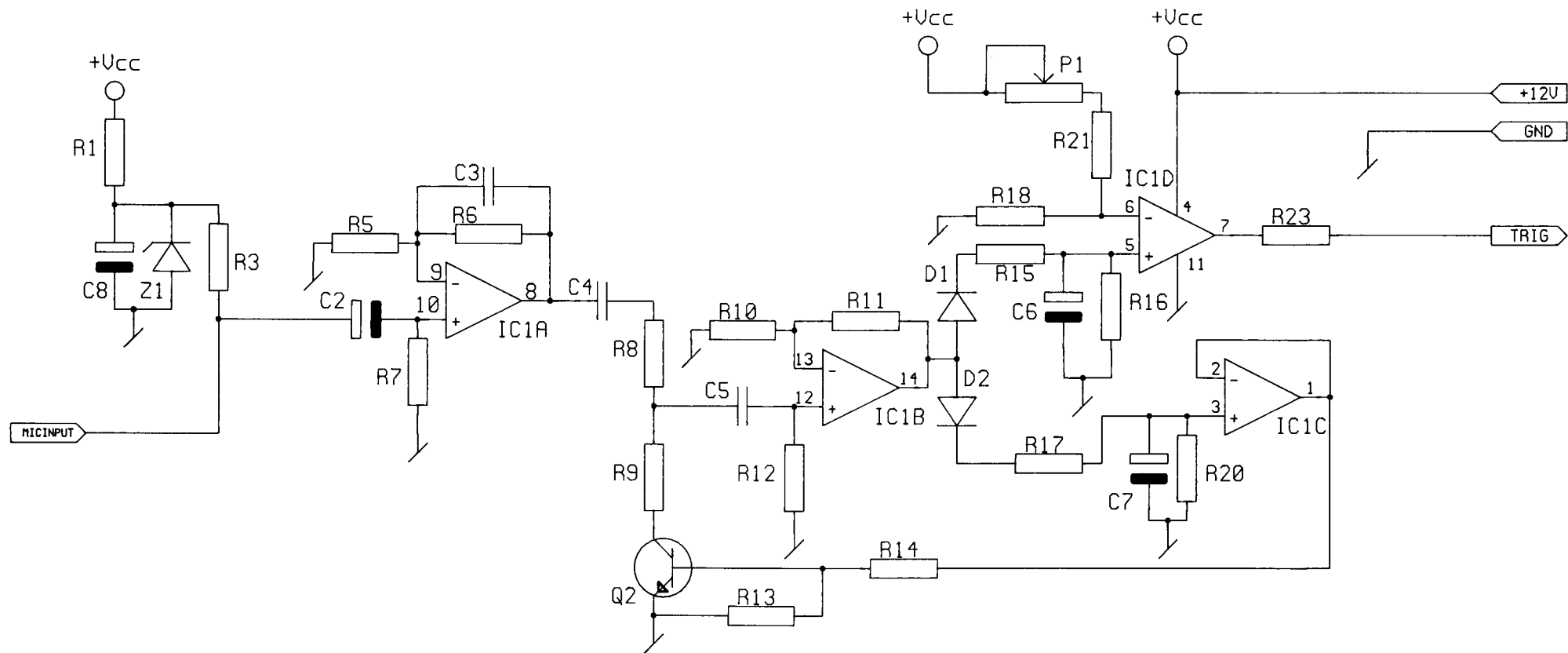
Product		910008, Centrepiece	
Name		910008.SCH	
Eng.		Martin Professional	sign PS
Number	93083101	page 1	of 1
Replacing		Replaced by	



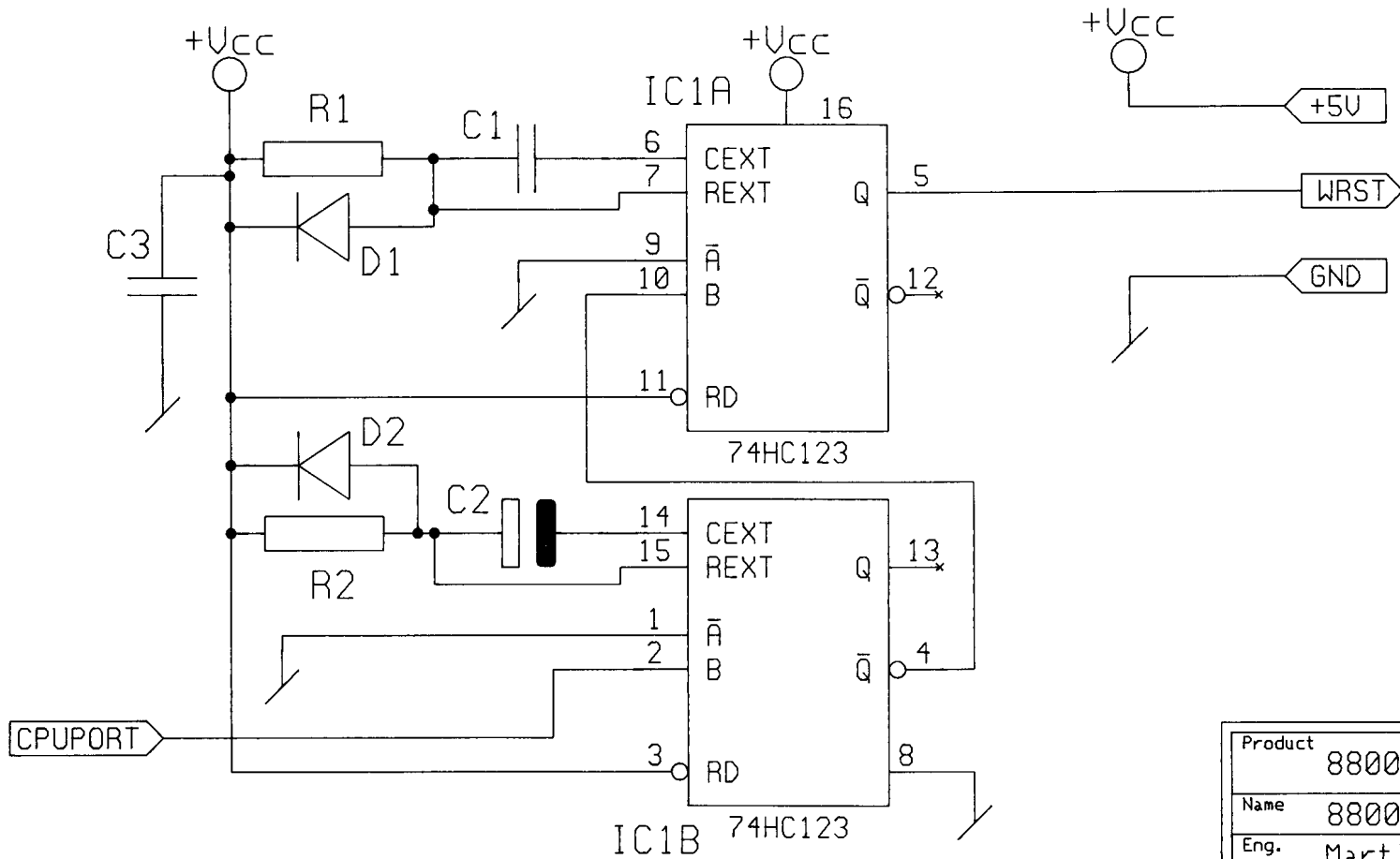
Product 810233, PCB Lamp on/off		
Name 810233.SYM		
Eng. Martin Professional	sign PS	
Number 93083001	page 1	of 1
Replacing	Replaced by	



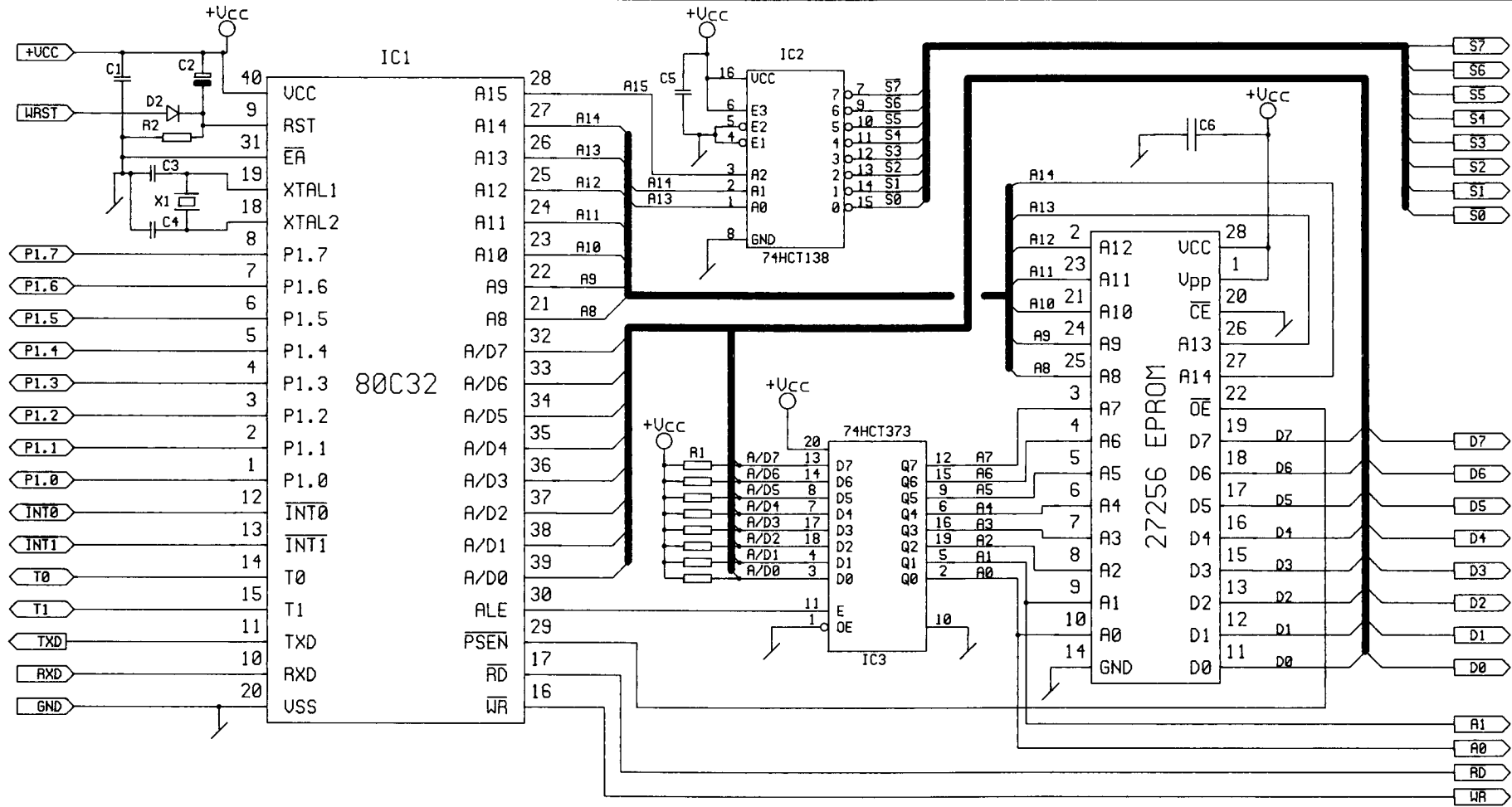
Product 845234, Microstepper Motherboard PCB		
Name 845234.SYM		
Eng. Martin Professional	sign PS	
Number 93083001	page 1	of 1
Replacing	Replaced by	



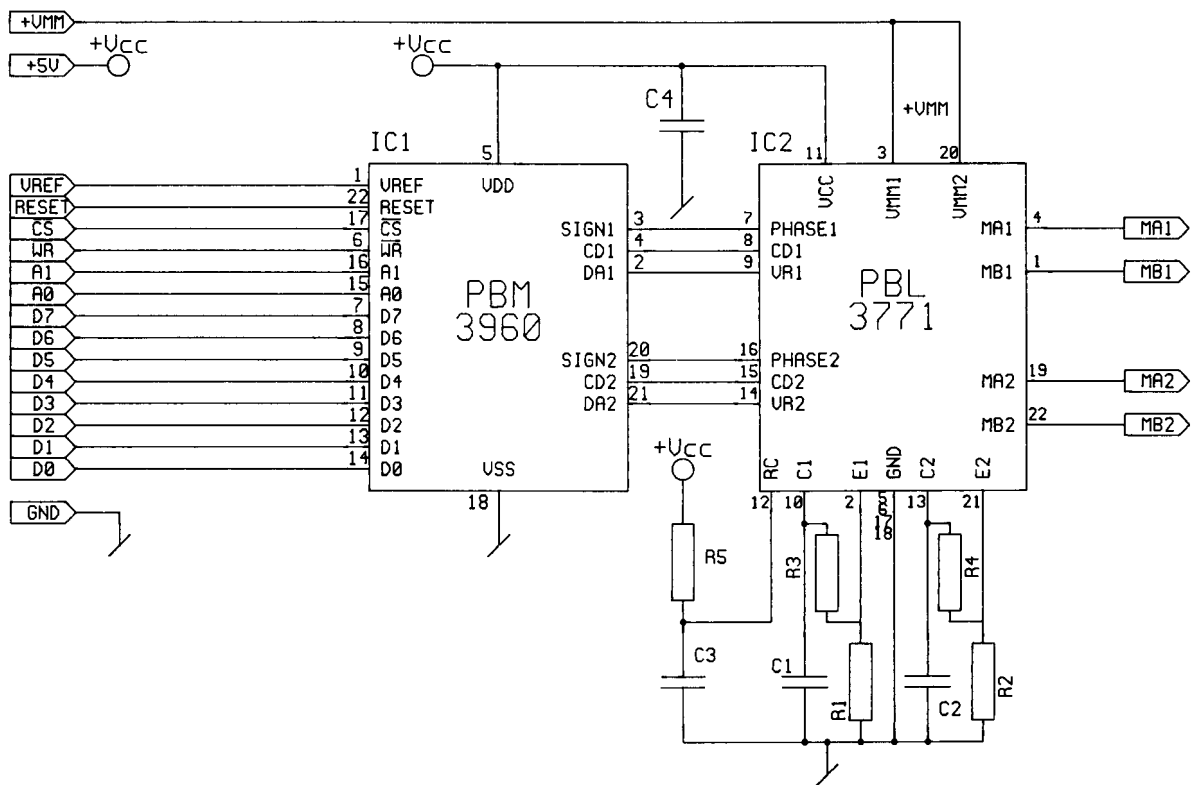
Product 880002, Microphone Amp. with AGC		
Name 880002.SYM		
Eng. Martin Professional	sign	
Number 93040201	page 1	of 1
Replacing	Replaced by	



Product		
880001, Watch Dog		
Name		
880001.SYM		
Eng.		sign
Martin Professional		
Number	93040201	page 1 of 1
Replacing	Replaced by	

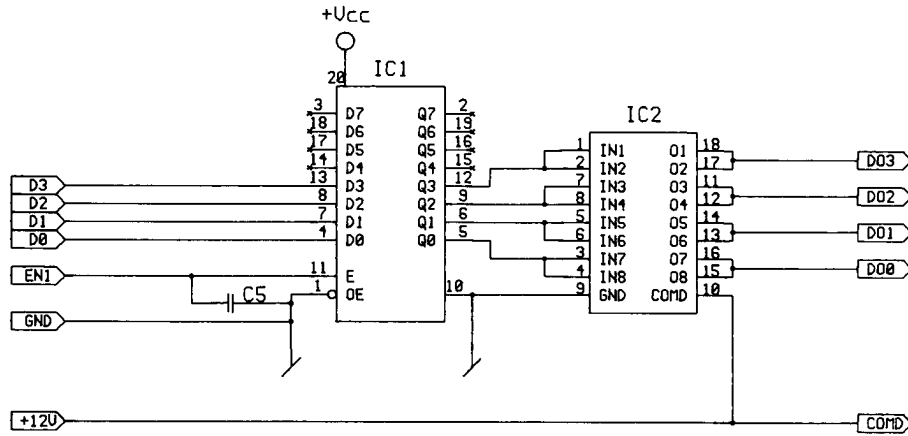


Product 880018, 80C32 CPU, EPROM Latch, Decoder		
Name 880018.SYM		
Eng. Martin Professional	sign	
Number 93040201	page 1	of 1
Replacing	Replaced by	

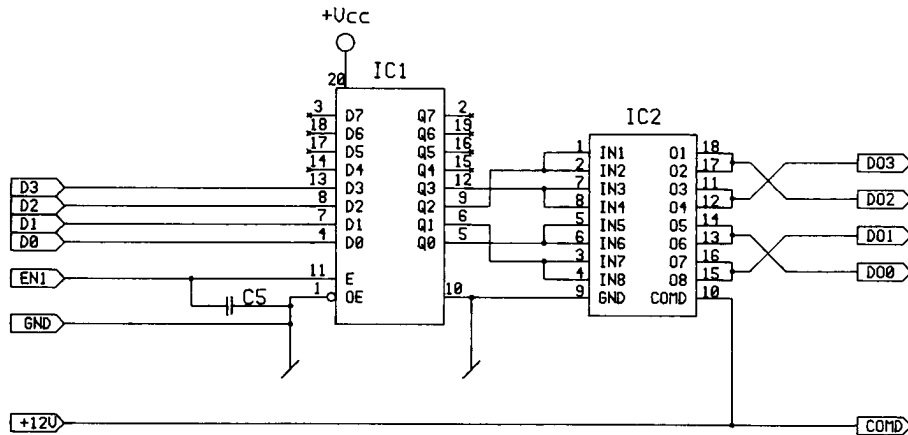


Product 880010, Stepmotor Driver (Microstepping)		
Name 880010.SYM		
Eng. Martin Professional	sign	
Number 93040201	page 1	of 1
Replacing	Replaced by	

A



B



A) PAN + TILT + SHUTTER (TEXT ON PCB)

B) COLOR + GOBO + IRIS (TEXT ON PCB)

Product 880008, Stepmotor Driver		
Name 880008.SYM		
Eng. Martin Professional	sign	
Number 93040201	page 1	of 1
Replacing	Replaced by	